

# Valletta Range

Bench, Seat, Table, Table Benches



**EMERDYN**

02 9534 1314

sales@emerdyn.com.au



EM077 Bench



EM078 Seat



EM079 Table



EM080 Table Bench



Valletta bench/seat table settings with sub-surface fixture option



EM077-DDA Benches and EM079-DDA Table with inset leg, all items adjusted height



EM128 Seat

# Valletta Seat

EM078 Seat



**EMERDYN**

02 9534 1314

sales@emerdyn.com.au



## Standard Specifications:

- Length: 1800mm
- Battens: hardwood timber battens 63 x 30mm
- Frame: steel
- Finish: powder coated frame
- Fixture: surface, sub-surface, inground

## Options:

- Battens: aluminium, composite timber
- Frame: stainless steel, galvanised finish
- DDA: EM128 Valletta Seat DDA compliant version
- DDA: EM128-DDA adjusted height, no armrest to suit EM079-DDA table

## Option examples:



Seat with stainless steel frame option



Seat with aluminum batten option



Seat with composite batten & galvanised finish option



Seat with armrest & logo options

# Valletta Bench

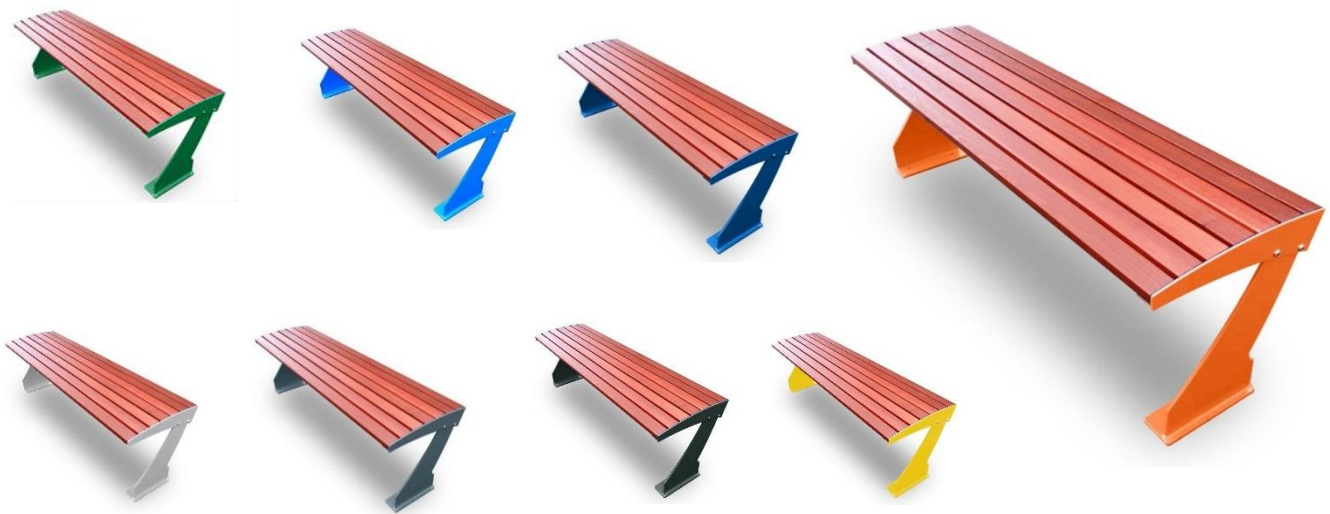
EM077 Bench



**EMERDYN**

02 9534 1314

sales@emerdyn.com.au



## Standard Specifications:

- Length: 1800mm
- Battens: hardwood timber 63 x 30mm, oiled
- Frame: steel
- Finish: powder coated frame
- Fixture: surface, sub-surface, inground

## Options:

- Battens: aluminium, composite timber
- Frame: stainless steel, galvanized finish
- Logo: template design required
- DDA setting: EM077-DDA adjusted height to suit EM079-DDA table

Option examples:



Bench with stainless steel frame option



Bench with galvanized steel frame finish and composite batten options

# Valletta Table Bench

EM080



**EMERDYN**

02 9534 1314

sales@emerdyn.com.au



EM080 1800 x 1800mm option

## Standard Specifications:

- Dimensions: 1500 x 1500mm
- Battens: hardwood timber
- Frame: steel
- Finish: powder coated frame
- Fixture: surface, sub-surface, inground

## Options:

- Dimensions: 1800 x 1800mm
- Battens: aluminium, composite timber
- Frame: stainless steel, galvanised finish
- Logo: template design required

# Valletta

Accessible options



**EMERDYN**

02 9534 1314

sales@emerdyn.com.au



EM128 Seat, DDA compliant as standalone (when used with DDA table height is adjusted and armrest removed)



Standard height setting with custom width table and inset leg



EM077-DDA Benches and EM079-DDA Table with inset leg, all items adjusted height



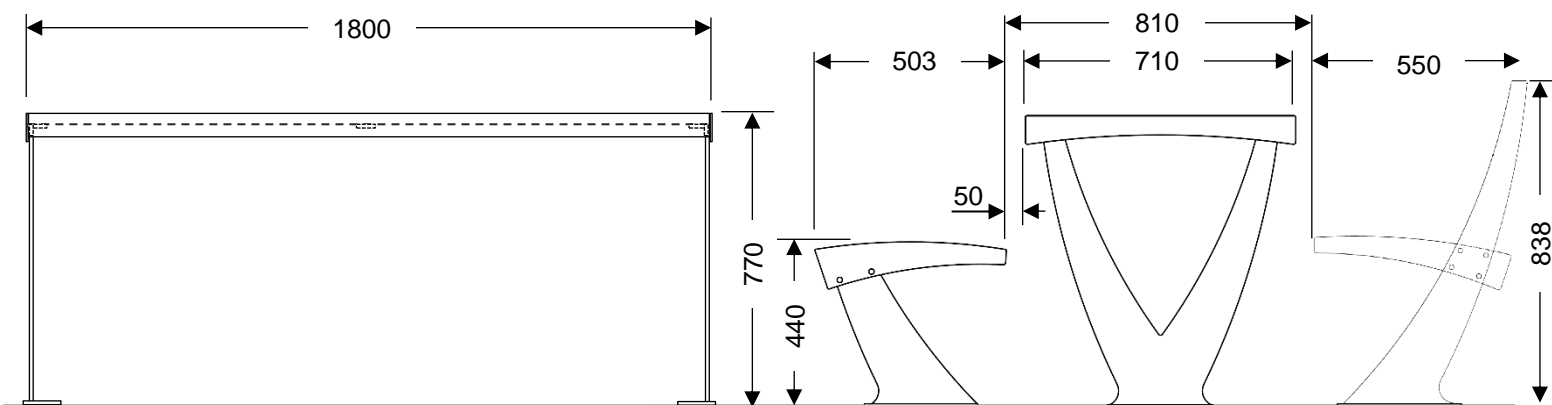
EM077-DDA Benches and EM079-DDA Table with inset leg, all items adjusted height





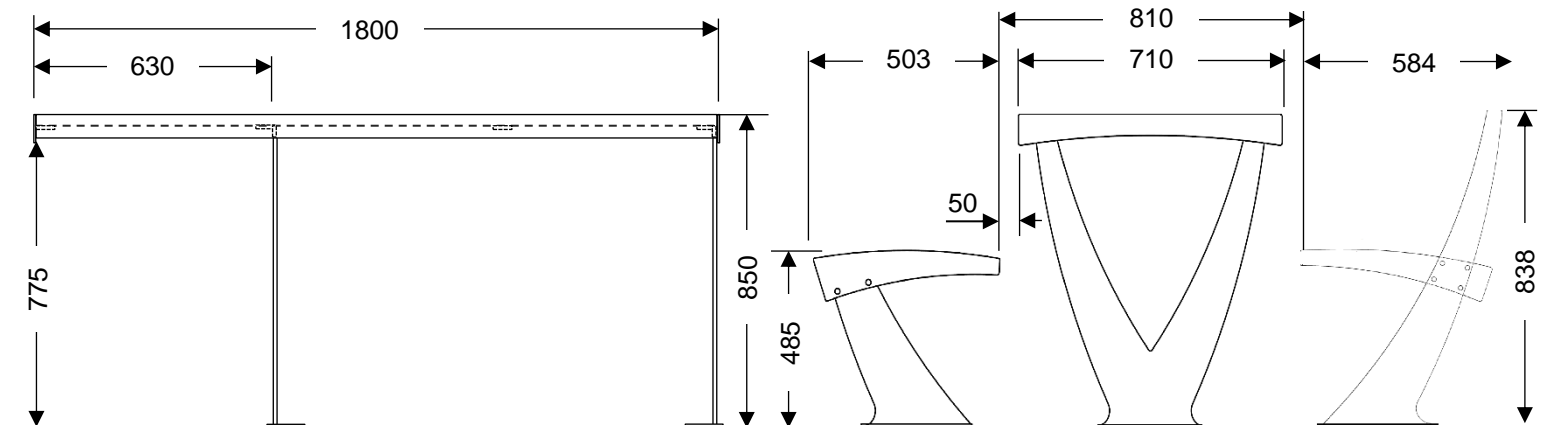
## Dimensions

### Standard Version



EM077 Bench, EM079 Table, EM078 Seat

### DDA compliant version (height adjusted and one leg inset for wheelchair access)



EM077-DDA Bench, EM079-DDA Table, EM128-DDA Seat  
(no armrest)

# Valletta Table Bench

EM080



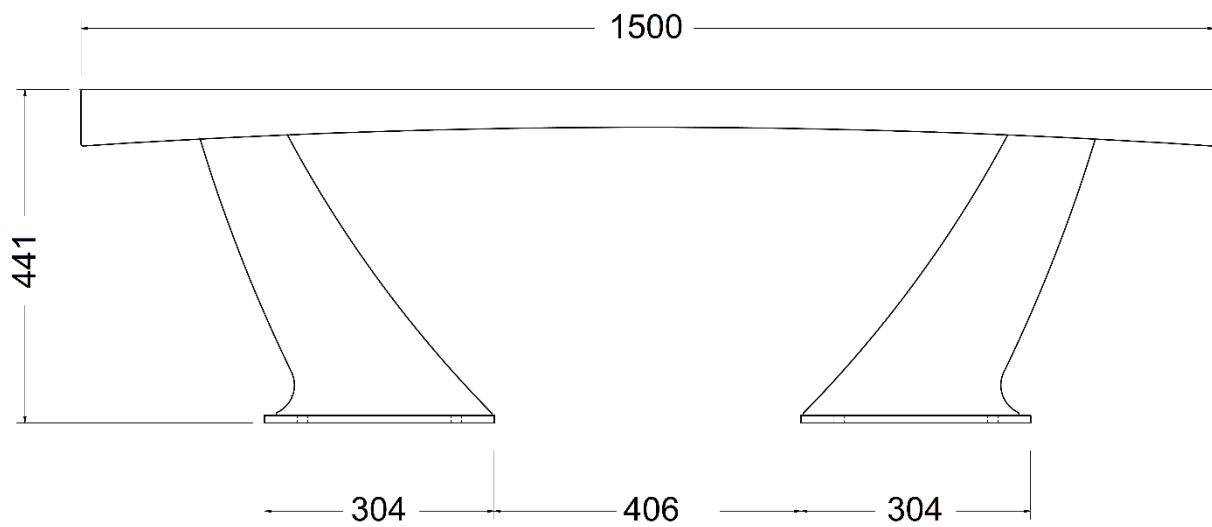
**EMERDYN**

02 9534 1314

sales@emerdyn.com.au

## Dimensions

Standard 1500x1500



1800x1800 option

